

**GOLDEN CITY LODGE NO. 1 A.F. & A.M. 2011
STANDING COMMITTEES**

WELFARE

D. Hayman, WM (Chair)
L. Walker, SW
J. O'Brine, JW

FINANCE

J. O'Brine, JW (Chair)
R. Pitcock
D. Cooper

MEMORIAL FUNDS

J. O'Brine, SD (Chair)
C. Westerhoff
J. Arbuckle

POSTING

C. Westerhoff, SD (Chair)
J. O'Brine
M. Tims
R. Wenzel

GRIEVANCE

L. Walker, SW (Chair)
M. Smith
M. Mues

INVESTMENTS

R. Wenzel (Chair)-
-(2009-2011)
D. Hayman (2010-2012)
R. Pitcock (2011-2013)
L. McKean (non-voting)

Memorial

MASONIC TRIVIA AND FACTS

What is the Regius Manuscript?

The first known document about Free Masonry.

Where did the term "lodge" come from?

As with many things we can only speculate as to where the word "lodge" derived. Dictionaries say that it probably came from the buildings, or huts, where the craftsmen worked and lived. Lodges of masons are mentioned at York Minster in 1352, at Canterbury Cathedral in 1429, at the Church of St. Nicholas, Aberdeen in 1483, and at St. Giles, Edinburgh, in 1429. "Lodge" first referred to non-permanent bodies, but gradually reverted to fixed localities, such as Edinburgh in 1598.

Which Presidents were Grand Masters?

Andrew Jackson of Tennessee and Harry S. Truman of Missouri.

Source: TheMasonicTrowel.com

Folk Wisdom For The Month

Don't ever wrestle with a pig. You will both get dirty, and only the pig will enjoy it!

Source: WB Merritt Smith

LIVING PAST MASTERS

Merritt E. Smith:1967	John A. McKenry III: 1996
Tommy R. Cook:1968	
Arthur R. Toney: 1974	Craig R. Petty: 1997
Gilbert A. Acevedo: 1975	E. Frederick Ernst: 1998
James K. Arbuckle: 1980	M. John Bernstein: 1999
Elmer E. King: 1981	Richard A. Cook: 2000
Elbert F. Floyd: 1983	Cliff Addenbrooke: 2001
Michael D. Mills:1984	Byron G. Walker: 2002
Timothy Johansson: 1985	Byron G. Walker: 2003
Wallace Techentien: 1988	Richard M. Wenzel: 2005
Charles W. Robinson: 1989	David A. Cooper: 2006 Thomas E. Dunn: 2007
Ben H. Parker Jr.: 1990	Thomas E. Dunn: 2008
Marvin Lewis: 1994	Michael Tims: 2009
Willis S. Sample:1995	Richard M. Wenzel: 2010

LIVING PAST MASTERS OF OTHER LODGES

Howard Caldwell	Leonard Mohr
Wesley Campbell	Max Mues
Neil Colin	Charles Noah
Melvin D. Gullett	James Norris
Michael Halpin	Ronald Richards
Howard Hohnstein	Chris A. Westerhoff
John Hohnstein	Lloyd McKean

**GOLDEN MASONIC TEMPLE ASSOCIATION
BOARD OF DIRECTORS**

D. Cooper, President (303-929-5486) (2008-2012)
M.Tims, Vice President (303-932-1530) (Temple Scheduler)
tmtmmt@msn.com (2010-2014)
M. Smith, Sec/Treasurer, (303-423-8016) (2009-2013)
R. Wenzel, (720-413-1790) (2011-2015)
Craig Petty, (303-902-2862) (2010-2011)

Temple Caretaker

Leonard Walker
303-548-9814
Temple Telephone (303) 279-9902

**Golden City Lodge No. 1
A.F. & A.M.
400 Tenth Street
Golden, Colorado 80401**

Return Service Requested

**NON-PROFIT ORG
U.S. POSTAGE PAID
GOLDEN, COLO.
PERMIT No. 91**

DATED MATERIAL

**Golden City Lodge
No. 1 A.F. & A.M.**



Chartered October 17, 1860

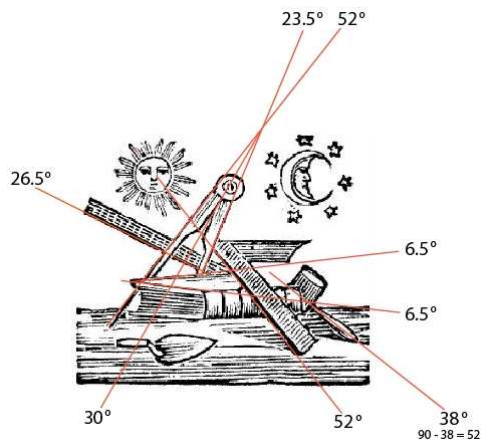
Masonic Temple Street Address
400 Tenth Street
Golden, Colorado

Masonic Temple Mailing Address
Golden City Lodge No. 1 A.F. & A. M.
400 Tenth Street
Golden, Colorado 80401

Masonic Temple Telephone Number:
(303) 279-9902

Please visit our web page:
<http://GoldenCityLodgeNo1.org>

Message of the Worshipful Master



Brethren,

Hoping you all had a GREAT summer! They go faster every year it seems!
 This summer was particularly busy with Masonic activities, many of which were centered on our Grand Lodge's 150th Anniversary celebrations. I hope that you all had a chance to attend at least one of these historic events.

Also this summer, Golden City Lodge provided Child ID services for Buffalo Bill Days as well as Jefferson County Safety Awareness days. Due to a lot of hard work and planning on the part of one of our newest Master Masons, Bro. Tony Selko, this year's Child ID event coordinator, we broke records in both the number of children processed and the number of Brothers volunteering and working these events. Way TO GO TONY! You set the bar high for next year's event coordinator. While I am at it, I also want to thank ALL of you who helped with these events. It has been said that "it is not work if you are having fun." What I saw were Brothers coming together and having fun for a righteous cause. That just does not happen without good leadership, good will, good effort and good "team spirit" on the part of all involved. I really commend and applaud those of you who were involved in any way. I tip my hat to you all.

With the summer leaving for Holiday somewhere else on the globe, Fall is almost upon us and Winter is making plans to move in for a while. These are sure portents that it is once again time to pick up the Work after a few months off. As the Work goes, there is plenty of it coming up fast. We have a list of new Candidates to initiate degree work for those standing on the first to Degrees and of course, like Jell-O, there is always room for more—in this case, proficiencies.

In that this Trestle Board is intended to offer due and timely notice for the months of September and October, I would also like to call your attention to Golden City Lodge's Second Annual Hawaiian Shirt and Dinner night which will take place on the first Monday in October. We have a special Hawaiian dinner in the works and a special prize for the most outrageous Hawaiian dress.

With that, I'll end by saying how much I look forward to seeing you all on our return from Summer Break on September 19.

Daniel S. Hayman, Worshipful Master

**GOLDEN CITY LODGE
 NO. 1 A.F. & A.M.**

SEPTEMBER - OCTOBER 2011

Monday, September 19, 2011

Golden Masonic Temple
 6:30 PM Light Snacks
 7:00 PM XXXX Stated Communication
 Degree Proficiencies

Monday, October 3rd, 2011

Golden Masonic Temple
Hawaiian Shirt Night
 6:00PM Island Style Dinner
 7:00 PM XXXX Stated Communication

Monday, October 17th, 2011

Golden Masonic Temple
 5:30 PM Light Snacks
 6:00 PM EA Degree Work Commences
 7:00 PM, XXXX Stated Communication

REMINDERS:

Youth Groups

Bethel No. 43 Job's Daughters
 2nd & 4th Mondays, 7:00 PM

Golden Chapter Order of DeMolay
 1st and 3rd Wednesday, 7:00 PM

Pancake Breakfast

4th Sunday of every month,
 8:00 AM to 11:00 AM,
 hosted by Mount Zion Chapter No. 133,
 Order of the Eastern Star

Contacts

To contact Golden City Lodge No. 1 AF&AM, Mt. Zion Chapter # 133 OES; Golden Chapter #5 RAM, Jefferson Council #24 R&SM, Jefferson Highlands Commandry #30, Friendship Court #7 Amaranth, Job's Daughters, Rainbow for Girls, DeMolay – leave a message at 303-279-9902. Shrine Hospital or Burn Center for Children 1-800-237-5055, Scottish Rite Child Language Disorders Foundation 866-289-6797, Robert Russell Eastern Star Masonic Center and Village 303-756-9489

Brethren standing on any degree are always welcome.

Any Brother who needs a ride to lodge, please call the Worshipful Master at; 303-838-1725, or the Secretary at 303-278-7362

Fees for the degrees are \$100 (\$50 EA, \$30 FC, \$20 MM). Annual dues are \$35 plus per capita (\$42 in 2011).

**GOLDEN CITY LODGE NO. 1, A.F. & A.M.
 2010 OFFICERS**

WORSHIPFUL MASTER

Daniel Hayman (Sue)303-838-1725
 Dan.Hayman@Accomplishments.com.....Cell: 303-638-6381

SENIOR WARDEN

Leonard L. Walker720-448-5890

JUNIOR WARDEN

John O'Brine (Nancy)303-467-6825

TREASURER

Lloyd L. McKean (Marion)303-424-3021

SECRETARY

Byron G. Walker.....303-278-7362
 27 Burgess Ave., Golden 80401byronalice@msn.com

SENIOR DEACON

Christopher Westerhoff (Nancy)303-431-2204

JUNIOR DEACON

Neil Ramsey (Cathy) 303-279-2059
 Cell: 303-995-7745

SENIOR STEWARD

Ricky Franklin (Aundrea) 720-348-0507

JUNIOR STEWARD

William Strotz303-274-2541

CHAPLAIN

Melvin Gullett (Edith)720-536-8605

MARSHALL

Charles Noah (Jane).....303-733-2283

TYLER

James Arbuckle (Judy)303-278-1077

DISTRICT LECTURER

Robert Heath303-431-1521