

**GOLDEN CITY LODGE NO. 1 A.F. & A.M. 2011  
STANDING COMMITTEES**

**WELFARE**

D. Hayman, WM (Chair)  
L. Walker, SW  
J. O'Brine, JW

**FINANCE**

J. O'Brine, JW (Chair)  
R. Pitcock  
D. Cooper

**MEMORIAL FUNDS**

J. O'Brine, SD (Chair)  
C. Westerhoff  
J. Arbuckle

**POSTING**

C. Westerhoff, SD (Chair)  
J. O'Brine  
M. Tims  
R. Wenzel

**GRIEVANCE**

L. Walker, SW (Chair)  
M. Smith  
M. Mues

**INVESTMENTS**

R. Wenzel (Chair)-  
-(2009-2011)  
D. Hayman (2010-2012)  
R. Pitcock (2011-2013)  
L. McKean (non-voting)

**Memorial**

Kenneth J. Kirkpatrick  
Born: November 11, 1926  
Initiated: May 20, 1953  
Passed: July 7, 1953  
Raised: November 13, 1973  
Entered the Celestial Lodge Above: September 6, 2011

**LIVING PAST MASTERS**

Merritt E. Smith:1967	John A. McKenry III: 1996
Tommy R. Cook:1968	Craig R. Petty: 1997
Arthur R. Toney: 1974	E. Frederick Ernst: 1998
Gilbert A. Acevedo: 1975	M. John Bernstein: 1999
James K. Arbuckle: 1980	Richard A. Cook: 2000
Elmer E. King: 1981	Cliff Addenbrooke: 2001
Elbert F. Floyd: 1983	Byron G. Walker: 2002
Michael D. Mills:1984	Byron G. Walker: 2003
Timothy Johansson: 1985	Richard M. Wenzel: 2005
Wallace Techentien: 1988	David A. Cooper: 2006
Charles W. Robinson: 1989	Thomas E. Dunn: 2007
Ben H. Parker Jr.: 1990	Thomas E. Dunn: 2008
Marvin Lewis: 1994	Michael Tims: 2009
Willis S. Sample:1995	Richard M. Wenzel: 2010

**LIVING PAST MASTERS OF OTHER LODGES**

Howard Caldwell	Leonard Mohr
Wesley Campbell	Max Mues
Neil Colin	Charles Noah
Melvin D. Gullett	James Norris
Michael Halpin	Ronald Richards
Howard Hohnstein	Chris A. Westerhoff
John Hohnstein	Lloyd McKean

**GOLDEN MASONIC TEMPLE ASSOCIATION  
BOARD OF DIRECTORS**

D. Cooper, President (303-929-5486) (2008-2012)  
M.Tims, Vice President (303-932-1530) (Temple Scheduler)  
[mtmmt@msn.com](mailto:mtmmt@msn.com) (2010-2014)  
M. Smith, Sec/Treasurer, (303-423-8016) (2009-2013)  
R. Wenzel, (720-413-1790) (2011-2015)  
Craig Petty, (303-902-2862) (2010-2011)

**Temple Caretaker**

Craig Petty  
(303) 902-2862  
Temple Telephone (303) 279-9902

**Golden City Lodge No. 1  
A.F. & A.M.  
400 Tenth Street  
Golden, Colorado 80401**

**Return Service Requested**

**NON-PROFIT ORG  
U.S. POSTAGE PAID  
GOLDEN, COLO.  
PERMIT No. 91**

**DATED MATERIAL**

**Golden City Lodge  
No. 1 A.F. & A.M.**



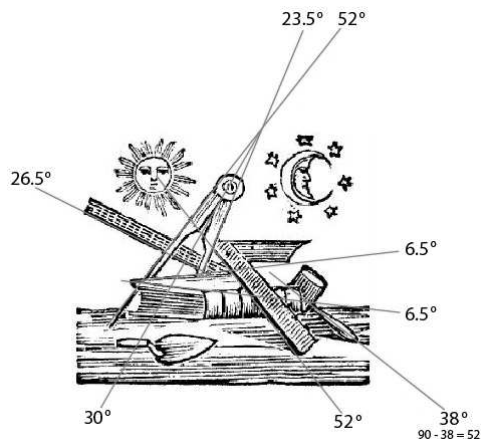
Chartered October 17, 1860

Masonic Temple Street Address  
400 Tenth Street  
Golden, Colorado

Masonic Temple Mailing Address  
Golden City Lodge No. 1 A.F. & A. M.  
400 Tenth Street  
Golden, Colorado 80401

Masonic Temple Telephone Number:  
(303) 279-9902

Please visit our web page:  
<http://GoldenCityLodgeNo1.org>



**GOLDEN CITY LODGE  
NO. 1 A.F. & A.M.**

**NOVEMBER 2011**

**Monday, November 7<sup>th</sup>, 2011**

Golden Masonic Temple  
**Last Family Night Of The Year:**  
*Civil War And Masonry*

A Presentation of Civil War History And Its  
Connections With Freemasonry. Uniforms  
And Other Historical Items Of The Time Will  
Displayed Throughout The Presentation,  
Headed up by Bros. Neil Ramsey  
and Larry Olde.

6:00 PM Family Dinner  
7:00 PM Presentation and  
3195<sup>th</sup> Stated Communication

**Monday, November 21<sup>st</sup>, 2011**

Golden Masonic Temple  
6:30 PM Light Snacks  
7:00 PM, 3196<sup>th</sup> Stated Communication

**CHANGE IN THE WAY WE DISTRIBUTE TRESTLE  
BOARDS?**

Brethren, a couple of years ago we made a cost/benefit analysis of sending out our trestle boards by e-mail. At that time, it was not cost effective. At the stated communication of 3 Oct 2011, 22 of the 23 members present indicated that they *could* receive the trestle board by e-mail. In view of this it may be time to reconsider. Each time we produce a Trestle Board, we prepare 300 copies and mail out about 275 copies, keeping 25 for distribution at our meetings, etc. Outsourced publishing currently costs around \$70/mo. Regarding mailing costs, we mail out about 245 copies at \$0.158 and 30 copies at \$0.174, for a monthly cost of approximately \$130 per month. Our bulk mail permit costs us \$185 per year. So our annual cost is somewhere around \$1,745.

To complete a current review, please contact the Secretary at e-mail [goldencitylodge@q.com](mailto:goldencitylodge@q.com) or telephone at 303-278-7362, and provide your name and a preferred option as follows:

1. I can and prefer to receive my Trestle Board by e-mail. My e-mail is \_\_\_\_\_
2. I can receive my Trestle Board by e-mail, but prefer to receive it by Postal mail.  
My e-mail is: \_\_\_\_\_
3. I do not have e-mail, so please send me my Trestle Board by Postal mail. My Name is: \_\_\_\_\_
4. Other (please explain): \_\_\_\_\_

From the survey results, we will propose one of the following procedures: a) continuing what we are doing, b) print our own trestle board, fold and tab them in-house, c) cancel our bulk mail permit, etc. and distribute them by email OR a combination of email and Postal mailings. The cost of USPS mailed Trestle Boards would rise to \$0.44 each under this last scenario. Whatever the Lodge decides, all members of Golden City Lodge Number 1 and candidates will continue to receive a trestle board. If you are not a member of Golden City Lodge Number 1, but wish to keep receiving a copy of our trestle board, please indicate so by participating in this survey.

**REMINDERS:**

**Youth Groups**

Bethel No. 43 Job's Daughters  
2nd & 4th Mondays, 7:00 PM

Golden Chapter Order of DeMolay  
1st and 3rd Wednesday, 7:00 PM

**Pancake Breakfast**

4th Sunday of every month,  
8:00 AM to 11:00 AM,  
Hosted by Mount Zion Chapter No. 133,  
Order of the Eastern Star

**Contacts**

To contact Golden City Lodge No. 1 AF&AM, Mt. Zion Chapter # 133 OES; Golden Chapter #5 RAM, Jefferson Council #24 R&SM, Jefferson Highlands Commandry #30, Friendship Court #7 Amaranth, Job's Daughters, Rainbow for Girls, DeMolay – leave a message at 303-279-9902. Shrine Hospital or Burn Center for Children 1-800-237-5055, Scottish Rite Child Language Disorders Foundation 866-289-6797, Robert Russell Eastern Star Masonic Center and Village 303-756-9489

Brethren standing on any degree are always welcome.

Any Brother who needs a ride to lodge, please call the Worshipful Master at; 303-838-1725, or the Secretary at 303-278-7362

Fees for the degrees are \$100 (\$50 EA, \$30 FC, \$20 MM). Annual dues are \$35 plus per capita (\$42 in 2011).

**GOLDEN CITY LODGE NO. 1, A.F. & A.M.  
2010 OFFICERS**

**WORSHIPFUL MASTER**

Daniel Hayman (Sue) .....303-838-1725  
Dan.Hayman@Accomplishments.com.....Cell: 303-638-6381

**SENIOR WARDEN**

Leonard L. Walker .....720-448-5890

**JUNIOR WARDEN**

John O'Brine (Nancy) .....303-467-6825

**TREASURER**

Lloyd L. McKean (Marion) .....303-424-3021

**SECRETARY**

Byron G. Walker.....303-278-7362  
27 Burgess Ave., Golden 80401 .....byronalice@msn.com

**SENIOR DEACON**

Christopher Westerhoff (Nancy) .....303-431-2204

**JUNIOR DEACON**

Neil Ramsey (Cathy) ..... 303-279-2059  
Cell: 303-995-7745

**SENIOR STEWARD**

Ricky Franklin (Aundrea) ..... 720-348-0507

**JUNIOR STEWARD**

William Strotz.....303-274-2541

**CHAPLAIN**

Melvin Gullett (Edith) .....720-536-8605

**MARSHALL**

Charles Noah (Jane).....303-733-2283

**TYLER**

James Arbuckle (Judy) .....303-278-1077

**DISTRICT LECTURER**

Robert Heath .....303-431-1521