

**GOLDEN CITY LODGE NO. 1 A.F. & A.M. 2011  
STANDING COMMITTEES**

**WELFARE**

D. Hayman, WM (Chair)  
L. Walker, SW  
J. O'Brine, JW

**FINANCE**

J. O'Brine, JW (Chair)  
R. Pitcock  
D. Cooper

**MEMORIAL FUNDS**

J. O'Brine, SD (Chair)  
C. Westerhoff  
J. Arbuckle

**POSTING**

C. Westerhoff, SD (Chair)  
J. O'Brine  
M. Tims  
R. Wenzel

**GRIEVANCE**

L. Walker, SW (Chair)  
M. Smith  
M. Mues

**INVESTMENTS**

R. Wenzel (Chair)-  
-(2009-2011)  
D. Hayman (2010-2012)  
R. Pitcock (2011-2013)  
L. McKean (non-voting)

**2011 SPECIAL COMMITTEES**

**SESQUICENTENNIAL  
CELEBRATION**

D. Hayman (Chair)  
B. Walker  
B. House  
N. Ramsey  
B. Strotz  
R. Wenzel  
R. Franklin

**FUNERALS**

D. Hayman, WM (Chair)  
L. Walker, SW  
J. O'Brine, JW  
B. Walker, Sec  
J. Arbuckle, Tyler

**DIRECTOR'S OF THE  
WORK**

M. Smith (Chair)  
Sr. Line Officers  
D. Cooper  
M. Mues  
B. Walker

**MASONIC EDUCATION**

M. Smith, (Chair)  
Line officers

**REFRESHMENTS**

J. O'Brine, (Chair)  
R. Franklin  
W. Strotz

**LIVING PAST MASTERS**

Merritt E. Smith:1967	John A. McKenry III: 1996
Tommy R. Cook:1968	Craig R. Petty: 1997
Arthur R. Toney: 1974	E. Frederick Ernst: 1998
Gilbert A. Acevedo: 1975	M. John Bernstein: 1999
James K. Arbuckle: 1980	Richard A. Cook: 2000
Elmer E. King: 1981	Cliff Addenbrooke: 2001
Elbert F. Floyd: 1983	Byron G. Walker: 2002
Michael D. Mills:1984	Byron G. Walker: 2003
Timothy Johansson: 1985	Richard M. Wenzel: 2005
Wallace Techentien: 1988	David A. Cooper: 2006
Charles W. Robinson: 1989	Thomas E. Dunn: 2007
Ben H. Parker Jr.: 1990	Thomas E. Dunn: 2008
Marvin Lewis: 1994	Michael Tims: 2009
Willis S. Sample:1995	Richard M. Wenzel: 2010

**LIVING PAST MASTERS OF OTHER LODGES**

Howard Caldwell	Leonard Mohr
Wesley Campbell	Max Mues
Neil Colin	Charles Noah
Melvin D. Gullett	James Norris
Michael Halpin	Ronald Richards
Howard Hohnstein	Chris A. Westerhoff
John Hohnstein	
Lloyd McKean	

**GOLDEN MASONIC TEMPLE ASSOCIATION  
BOARD OF DIRECTORS**

D. Cooper, President (303-929-5486) (2008-2012)  
M.Tims, Vice President (303-932-1530) (Temple Scheduler)  
[mtmtt@msn.com](mailto:mtmtt@msn.com) (2010-2014)  
M. Smith, Sec/Treasurer, (303-423-8016) (2009-2013)  
R. Wenzel, (720-413-1790) (2011-2015)  
Craig Petty, (303-902-2862) (2010-2011)

**Temple Caretaker**

Leonard Walker  
720-448-5890  
Temple Telephone (303) 279-9902

NON-PROFIT ORG  
U.S. POSTAGE PAID  
GOLDEN, COLO.  
PERMIT No. 91

DATED MATERIAL

Golden City Lodge No. 1  
A.F. & A.M.  
400 Tenth Street  
Golden, Colorado 80401

Return Service Requested

**Golden City Lodge  
No. 1 A.F. & A.M.**



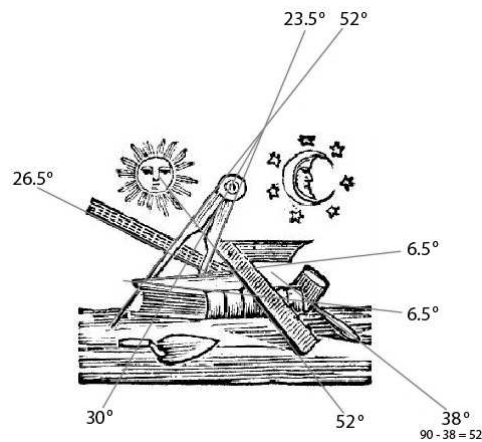
Chartered October 17, 1860

Masonic Temple Street Address  
400 Tenth Street  
Golden, Colorado

Masonic Temple Mailing Address  
Golden City Lodge No. 1 A.F. & A. M.  
400 Tenth Street  
Golden, Colorado 80401

Masonic Temple Telephone Number:  
(303) 279-9902

Please visit our web page:  
<http://GoldenCityLodgeNo1.org>



**GOLDEN CITY LODGE  
NO. 1 A.F. & A.M.**

**May 2011**

**Monday, May 2, 2011**

Golden Masonic Temple

6:00 PM Fellowship Dinner

7:00 PM 3189<sup>th</sup> Stated Communication and

**Family and Friends Presentation Night:**

Sgt. Rich Webb of JeffCo Sherriff's Dept.

presenting *Items found in Time Capsule*

*buried by Golden City Lodge #1* and

located under old county courthouse.

*Please tell any and all Brothers or those*

*interested in Masonry and/or Civic*

*History to come join us with their family*

*and friends.*

**Monday, May 16, 2011**

Golden Masonic Temple

5:30 PM Light Snacks

6:00 PM FC Degree Work Commences

7:00 PM, 3190<sup>th</sup> Stated Communication

FC Degree Work

*Message of the Worshipful Master*

Brethren,



Fraternally,

Daniel S. Hayman, Worshipful Master

Brethren,

Please keep Brother Bill Strotz and his family in mind during this holiday season.

Donations are being accepted at any First Bank in a memorial trust fund, in the name of Bill's late wife; Kimberly Strotz.

**REMINDERS:**

**Youth Groups**

Bethel No. 43 Job's Daughters  
2nd & 4th Mondays, 7:00 PM

Golden Chapter Order of DeMolay  
1st and 3rd Wednesday, 7:00 PM

**Pancake Breakfast**

4th Sunday of every month,  
8:00 AM to 11:00 AM,

hosted by Mount Zion Chapter No. 133,  
Order of the Eastern Star

**Contacts**

To contact Golden City Lodge No. 1 AF&AM, Mt. Zion Chapter # 133 OES; Golden Chapter #5 RAM, Jefferson Council #24 R&SM, Jefferson Highlands Commandry #30, Friendship Court #7 Amaranth, Job's Daughters, Rainbow for Girls, DeMolay – leave a message at 303-279-9902. Shrine Hospital or Burn Center for Children 1-800-237-5055, Scottish Rite Child Language Disorders Foundation 866-289-6797, Robert Russell Eastern Star Masonic Center and Village 303-756-9489

Brethren standing on any degree are always welcome.

Any Brother who needs a ride to lodge, please call the Worshipful Master at; 303-838-1725, or the Secretary at 303-278-7362

Fees for the degrees are \$100 (\$50 EA, \$30 FC, \$20 MM). Annual dues are \$35 plus per capita (\$42 in 2011).

**GOLDEN CITY LODGE NO. 1, A.F. & A.M.  
2010 OFFICERS**

**WORSHIPFUL MASTER**

Dan Hayman (Sue) .....303-838-1725  
Dan.Hayman@Accomplishments.com.....Cell: 303-638-6381

**SENIOR WARDEN**

Leonard L. Walker .....720-448-5890

**JUNIOR WARDEN**

John O'Brine (Nancy) .....303-467-6825

**TREASURER**

Lloyd L. McKean (Marion) .....303-424-3021

**SECRETARY**

Byron G. Walker... .....303-278-7362  
127 Burgess Ave., Golden 80401 .....[GoldenCityLodge@q.com](mailto:GoldenCityLodge@q.com)

**SENIOR DEACON**

Christopher Westerhoff (Nancy) .....303-431-2204

**JUNIOR DEACON**

Neil Ramsey (Cathy) ..... 303-279-2059  
Cell: 303-995-7745

**SENIOR STEWARD**

Ricky Franklin (Aundrea) ..... 720-348-0507

**JUNIOR STEWARD**

William Strotz .....303-274-2541

**CHAPLAIN**

Melvin Gullett (Edith) .....720-536-8605

**MARSHALL**

Charles Noah (Jane).....303-733-2283

**TYLER**

James Arbuckle (Judy)... .....303-278-1077

**DISTRICT LECTURER**

Robert Heath .....303-431-1521