

**GOLDEN CITY LODGE NO. 1 A.F. & A.M. 2010
STANDING COMMITTEES**

WELFARE

D. Hayman, WM (Chair)
L. Walker, SW
J. O'Brine, JW

FINANCE

J. O'Brine, JW (Chair)
R. Pitcock
D. Cooper

MEMORIAL FUNDS

J. O'Brine, SD (Chair)
C. Westerhoff
J. Arbuckle

POSTING

C. Westerhoff, SD (Chair)
J. O'Brine
M. Tims
R. Wenzel

GRIEVANCE

L. Walker, SW (Chair)
M. Smith
M. Mues

INVESTMENTS

R. Wenzel(Chair)
(2009-2011)
D. Hayman (2010-2012)
R. Pitcock (2011-2013)
L. McKean (non-voting)

2010 SPECIAL COMMITTEES

**SESQUICENTENNIAL
CELEBRATION**

D. Hayman (Chair)
B. Walker
B. House
N. Ramsey

FUNERALS

D. Hayman, WM (Chair)
L. Walker, SW
J. O'Brine, JW
B. Walker, Sec
N. Ramsey, Tyler

**DIRECTOR'S OF THE
WORK**

M. Smith(Chair)
D, Hayman (MM)
L. Walker (FC)
J. O'Brine (EA)
C. Westerhoff
D. Cooper
M. Mues
B. Walker

MASONIC EDUCATION

M. Smith, (Chair)
Line officers

REFRESHMENTS

L. Walker, (Chair)
R. Franklin
W. Strotz

LIVING PAST MASTERS

Merritt E. Smith:1967	Willis S. Sample:1995
Tommy R. Cook:1968	John A. McKenry III: 1996
Arthur R. Toney: 1974	Craig R. Petty: 1997
Gilbert A. Acevedo: 1975	E. Frederick Ernst: 1998
James K. Arbuckle: 1980	M. John Bernstein: 1999
Elmer E. King: 1981	Richard A. Cook: 2000
Elbert F. Floyd: 1983	Cliff Addenbrooke: 2001
Michael D. Mills:1984	Byron G. Walker: 2002
Timothy A. Johansson: 1985	Byron G. Walker: 2003
Wallace A. Techentien: 1988	Richard Albeck: 2004
Charles W. Robinson: 1989	Richard M. Wenzel: 2005
Ben H. Parker Jr.: 1990	David A. Cooper: 2006
Marvin "Boots" Lewis: 1994	Thomas E. Dunn: 2007
	Thomas E. Dunn: 2008
	Michael Tims: 2009
	Richard M. Wenzel: 2010

LIVING PAST MASTERS OF OTHER LODGES

Howard Caldwell	Leonard Mohr
Wesley Campbell	Max Mues
Neil Colin	Charles Noah
Melvin D. Gullett	James Norris
Michael Halpin	Ronald Richards
Howard Hohnstein	Chris A. Westerhoff
John Hohnstein	
Lloyd McKean	

**GOLDEN MASONIC TEMPLE ASSOCIATION
BOARD OF DIRECTORS**

D. Cooper, President (303-929-5486) (2008-2012)
M.Tims, Vice President (303-932-1530) (Temple Scheduler)
mtmmt@msn.com (2010-2014)
M. Smith, Sec/Treasurer, (303-423-8016) (2009-2013)
R. Wenzel, (720-413-1790) (2011-2015)
Craig Petty, (303-902-2862) (2010-2011)

Temple Caretaker
Leonard Walker
303-548-9814
Temple Telephone (303) 279-9902

Golden City Lodge No. 1
A.F. & A.M.
400 Tenth Street
Golden, Colorado 80401

Return Service Requested

NON-PROFIT ORG.
U.S. POSTAGE PAID
GOLDEN, COLO.
PERMIT No. 91

DATED MATERIAL

**Golden City Lodge
No. 1 A.F. & A.M.**



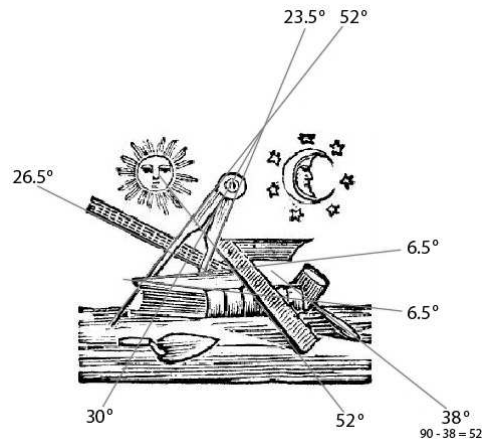
Chartered October 17, 1860

Masonic Temple Street Address
400 Tenth Street
Golden, Colorado

Masonic Temple Mailing Address
Golden City Lodge No. 1 A.F. & A. M.
400 Tenth Street
Golden, Colorado 80401

Masonic Temple Telephone Number:
(303) 279-9902

Please visit our web page:
<http://GoldenCityLodgeNo1.org>



**GOLDEN CITY LODGE
NO. 1 A.F. & A.M.**

JANUARY 2011

Monday, January 3, 2011

Golden Masonic Temple

5:00 PM 3181st Stated Communication 6:00
PM Dinner*

(Entered Apprentice Degrees planned)

Monday, January 17, 2010

Golden Masonic Temple

6:30 PM, Light Refreshments

7:00 PM, 3182nd Stated Communication

* Dinner served by Golden Chapter Order of DeMolay,
\$10 Donation

Message of the Worshipful Master

Brethren,

2010 was an exciting year! Not only did we celebrate our 150th anniversary in a form and style we can all be most proud of, but we also excelled in gaining and advancing new members, in no small part due to our Junior Past Master, Richard Wenzel. Rick, you are a tough and class act to follow and I am left humbled and exhilarated in that the challenge for Golden City Lodge Brethren is to not only live up to a bar set high, but also to do what we can to continue raising the bar of excellence in Brotherhood.

The good news is that in the coming year we have every opportunity to live up to our proud name in that we celebrate our sesquicentennial as being chartered as Golden City Lodge No. 1 along with the convention of the Grand Lodge of Colorado. Part of this celebration includes re-enacting our burial ceremony of Buffalo Bill. Additionally, in the upcoming year, we have a *substantial* list of candidates desirous of receiving the degrees of Masonry.

With each and every day we enjoy opportunities to strengthen the bonds of Brotherly Love and Affection. In the end, the continued effort to “subdue our passions and improve ourselves in Masonry” boils down to every day acts which most of us take for granted. Let’s remember to Extend the hand of friendship the next time you are in Lodge or a Pre-Lodge Fellowship Dinner by sitting next to a Brother you may not know well. Ever strive to live up!

Brethren, these acts which are so simple to write and talk about and yet so difficult to employ in our daily lives, are the very same acts to which if some attention is paid by all of us, Mason and non-Mason alike, will ensure the health of not only our lodge, but our city, state and our own individual worlds. I therefore charge you all with the duty of making that extra effort, both this year and for the years to come. I also offer you *my* promise that your reward, coming in the form of our Masonic Wages, will come back to you and all of us tenfold, thereby strengthening ourselves and our Lodge.

Finally and humbly, I thank you all for your trust in giving me this opportunity to serve. It is an honor—an honor I take very seriously and an opportunity to rededicate myself to the Spirit which is Golden City Lodge No. 1.

Fraternally,
Daniel S. Hayman, Worshipful Master

REMINDERS:

Pancake Breakfast

4th Sunday of every month,

8:00 AM to 11:00 AM,

hosted by Mount Zion Chapter No. 133,
Order of the Eastern Star

Regular Meeting

Bethel No. 43 Job’s Daughters

2nd & 4th Mondays, 7:00 PM

Regular Meeting

Golden Chapter Order of DeMolay

1st and 3rd Wednesday, 7:00 PM

Brethren standing on any degree are always
welcome.

Any Brother who needs a ride to lodge, please
call the Worshipful Master at;
720-413-1790, or the Secretary at 303-278-7362

Fees for the degrees are \$100 (\$50 EA, \$30 FC,
\$20 MM). Annual dues are \$35 plus per capita
(\$42 in 2011).

**GOLDEN CITY LODGE NO. 1, A.F. & A.M.
2010 OFFICERS**

WORSHIPFUL MASTER

Dan Hayman (Sue)303-838-1725
Dan.Hayman@Accomplishments.com.....Cell: 303-638-6381

SENIOR WARDEN

Leonard L. Walker303-548-9814

JUNIOR WARDEN

John O’Brine (Nancy)303-467-6825

TREASURER

Lloyd L. McKean (Marion)303-424-3021

SECRETARY

Byron G. Walker.....303-278-7362
127 Burgess Ave., Golden 80401byronalice@msn.com

SENIOR DEACON

Christopher Westerhoff (Nancy)303-431-2204

JUNIOR DEACON

Neil Ramsey (Cathy) 303-279-2059
Cell: 303-995-7745

SENIOR STEWARD

Ricky Franklin (Andrea) 720-348-0507

JUNIOR STEWARD

William Strotz (Kimberly)303-274-254

CHAPLAIN

Melvin Gullett (Edith)720-536-8605

MARSHALL

Charles Noah (Jane).....303-733-2283

TYLER

James Arbuckle (Judy).....303-278-1077

DISTRICT LECTURER

Robert Heath303-431-1521