

**GOLDEN CITY LODGE NO. 1 A.F. & A.M. 2012  
STANDING COMMITTEES**

**WELFARE**

J. O'Brine, WM (Chair)  
C. Westerhoff, SW  
S. Walker, JW

**FINANCE**

S. Walker, JW (Chair)  
R. Pitcock  
J. Bartos

**MEMORIAL FUNDS**

J. O'Brine, WM (Chair)  
C. Westerhoff  
J. Bartos

**POSTING**

N. Ramsey, SD (Chair)(EA)  
R. Ceriale SS (FC)  
R. Franklin, JD (MM)  
C. Westerhoff, SW

**GRIEVANCE**

C. Westerhoff, SW (Chair)  
M. Smith  
M. Mues

**INVESTMENTS**

D. Hayman (Chair) (2010-2012)  
R. Pitcock (2011-2013)  
R. Ceriale (2012-1014)  
L. McKean (non-voting)

**Memorial**

Robert G. Troxler  
Born: July 11, 1927  
Initiated: January 12, 1976  
Passed: March 15, 1976  
Raised: April 10, 1976  
Entered the Celestial Lodge  
Above: November 19, 2011

**Widows**

Betty Bennecki  
Joyce White

**LIVING PAST MASTERS**

Merritt E. Smith:1967	John A. McKenry: 1996
Tommy R. Cook:1968	Craig R. Petty: 1997
Arthur R. Toney: 1974	E. Frederick Ernst: 1998
Gilbert A. Acevedo: 1975	M. John Bernstein: 1999
James K. Arbuckle: 1980	Cliff Addenbrooke: 2001
Elmer E. King: 1981	Byron G. Walker: 2002
Elbert F. Floyd: 1983	Byron G. Walker: 2003
Michael D. Mills:1984	Richard M. Wenzel: 2005
Timothy Johansson: 1985	David A. Cooper: 2006
Wallace Techentien: 1988	Thomas E. Dunn: 2007
Charles Robinson: 1989	Thomas E. Dunn: 2008
Ben H. Parker Jr.: 1990	Michael Tims: 2009
Marvin Lewis: 1994	Richard M. Wenzel: 2010
Willis S. Sample:1995	Daniel S. Hayman: 2011

**LIVING PAST MASTERS OF OTHER LODGES**

Howard Caldwell	Leonard Mohr
Wesley Campbell	Max Mues
Neil Colin	Charles Noah
Melvin D. Gullett	James Norris
Michael Halpin	Ronald Richards
Howard Hohnstein	Chris A. Westerhoff
John Hohnstein	Lloyd McKean

**GOLDEN MASONIC TEMPLE ASSOCIATION  
BOARD OF DIRECTORS**

D. Cooper, President (303-929-5486) (2008-2012)  
M. Smith, Sec/Treasurer. (303-423-8016) (2009-2013)  
M.Tims, Vice President (303-932-1530) (2010-2014)  
(Temple Scheduler) [tmtmmt@msn.com](mailto:tmtmmt@msn.com)  
R. Wenzel, (720-413-1790) (2011-2015)  
Craig Petty, (303-902-2862) (2012-2016)

**Temple Caretaker**

Craig Petty  
(303) 902-2862  
Temple Telephone (303) 279-9902

NON-PROFIT ORG  
U.S. POSTAGE PAID  
GOLDEN, COLO.  
PERMIT No. 91

DATED MATERIAL

Golden City Lodge No. 1  
A.F. & A.M.  
400 Tenth Street  
Golden, Colorado 80401

Return Service Requested

**Golden City Lodge  
No. 1 A.F. & A.M.**



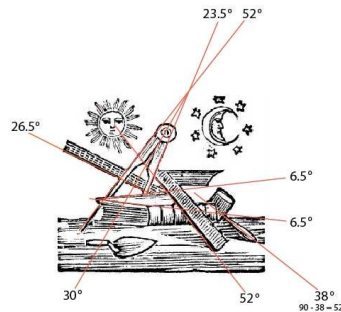
Chartered October 17, 1860

Masonic Temple Street Address  
400 Tenth Street  
Golden, Colorado

Masonic Temple Mailing Address  
Golden City Lodge No. 1 A.F. & A. M.  
400 Tenth Street  
Golden, Colorado 80401

Masonic Temple Telephone Number:  
(303) 279-9902

Please visit our web page:  
<http://GoldenCityLodgeNo1.org>



**GOLDEN CITY LODGE  
NO. 1 A.F. & A.M.**

**FEBRUARY 2012**

**Monday, February 6, 2012**

Golden Masonic Temple  
6:00 PM, Fellowship Dinner\*  
7:00 PM, 3200<sup>th</sup> Stated Communication  
(Entered Apprentice Degree)

\*Reservations, please, to 303-278-7362, by 3  
February. \$10 donation with a reservation, \$15  
for walk-ins

**Monday, February 20, 2012**

Golden Masonic Temple  
6:30 PM Light Refreshments  
7:00 PM, 3201<sup>st</sup> Stated Communication

Brethren standing on any degree are always  
welcome.

Any Brother who needs a ride to lodge, please  
call the Worshipful Master at; 303-467-6825,  
or the Secretary at 303-278-7362

Fees for the degrees are \$100 (\$50 EA, \$30  
FC,

*Message of the Worshipful Master*

Brethren,

Thank you for your responses to our dues surveys.  
Your responses have been turned over to the finance  
committee for their recommendations. We are  
working on the budget for the ensuing year to  
minimize the amount we have to withdraw from our  
savings. I will keep you posted.

We closed out the month of January in due form. We  
have a candidate that has been elected to receive the  
Degrees of Masonry and we have a new petition, so  
we are off to a great start. Note that we have an  
Entered Apprentice degree scheduled for our first  
meeting in February. Please try to attend for a dinner  
by the DeMolay boys and a good night of Masonic  
work that will be educational for every one of us. In  
order to reduce costs to the Lodge, please make  
dinner reservations. We will take donations, \$10 with  
a reservation, \$15 for walk-ins.

We plan to have a Master Mason Degree in March.  
We are looking for open dates at the building for,  
perhaps, a special meeting.

I want to thank all of my line Officers for a great first  
night at their new stations. I want to thank our new  
Junior Warden, Brother Steven Walker. Brother  
Steven, you did a masterful job on your first night.

My hope and prayer is that we are on the down side  
of winter weather.

Fraternally,

John O'Brine, Worshipful Master.

Lodge Items for Sale	
Golden Lodge Logo T-shirts .....	\$10.00
Golden Lodge Logo Polo-shirts .....	\$15.00
Further Light (booklet) .....	\$ 8.00
Clear Text Key (MM) .....	\$28.00

**REMINDERS:**

**Youth Groups**

Bethel No. 43 Job's Daughters  
2nd & 4th Mondays, 7:00 PM

Golden Chapter Order of DeMolay  
1st and 3rd Wednesday, 7:00 PM

**Pancake Breakfast**

4th Sunday of every month,  
8:00 AM to 11:00 AM,

Hosted by Mount Zion Chapter No. 133,  
Order of the Eastern Star

**Contacts**

To contact Golden City Lodge No. 1 AF&AM,  
Mt. Zion Chapter # 133 OES; Golden Chapter  
#5 RAM, Jefferson Council #24 R&SM,  
Jefferson Highlands Commandry #30,  
Friendship Court #7 Amaranth, Job's Daughters,  
Rainbow for Girls, DeMolay – leave a message  
at 303-279-9902. Shrine Hospital or Burn  
Center for Children 1-800-237-5055, Scottish  
Rite Child Language Disorders Foundation 866-  
289-6797, Robert Russell Eastern Star Masonic  
Center and Village 303-756-9489

**Other Masonic Family Events**

Bethel 43 Installation, 4 Feb, 3 pm  
Central 6, Cherry Pie, 22 Feb, 6 pm  
El Jebel IHOP breakfasts, 28 Feb  
El Jebel Circus, 20-22 Apr  
Scottish Rite Spring Reunion, 10-12 May

**GOLDEN CITY LODGE NO. 1, A.F. & A.M.  
2010 OFFICERS**

**WORSHIPFUL MASTER**

John O'Brine (Nancy) .....303-467-6825  
[J.Obrine@Q.com](mailto:J.Obrine@Q.com)

**SENIOR WARDEN**

Chris Westerhoff (Nancy)..... 303-431-2204  
[cwmtingoat@msn.com](mailto:cwmtingoat@msn.com)

**JUNIOR WARDEN**

Steven A. Walker.....720-275-5398  
[steve.walker@ventribe.com](mailto:steve.walker@ventribe.com)

**TREASURER**

Lloyd L. McKean (Marion) .....303-424-3021  
[lloyd\\_m\\_1@q.com](mailto:lloyd_m_1@q.com)

**SECRETARY**

Byron G. Walker.....303-278-7362  
127 Burgess Ave., Golden 8040..... [goldencitylodge@q.com](mailto:goldencitylodge@q.com)

**SENIOR DEACON**

Neil Ramsey (Cathy) ..... 303-279-2059  
[neilh2002@aol.com](mailto:neilh2002@aol.com)

**JUNIOR DEACON**

Ricky Franklin (Aundrea) ..... 720-348-0507  
[rick.franklin@dcsdk12.org](mailto:rick.franklin@dcsdk12.org)

**SENIOR STEWARD**

Robert Ceriale..... 303-565-0000  
[RCeriale@gmail.com](mailto:RCeriale@gmail.com)

**JUNIOR STEWARD**

Ronald Pitcock .....303-888-7462  
[ronpitcock@earthlink.net](mailto:ronpitcock@earthlink.net)

**CHAPLAIN**

Melvin Gullett (Edith) .....720-536-8605

**MARSHALL**

Kevin Alcox (Carla)..... 303-886-8415  
[kevinalcox@gmail.com](mailto:kevinalcox@gmail.com)

**TYLER**

Jonathan Sellars ..... 303-210-3211  
[sellars@q.com](mailto:sellars@q.com)

**DISTRICT LECTURER**

Robert Heath .....303-431-1521  
[rwhj@aol.com](mailto:rwhj@aol.com)